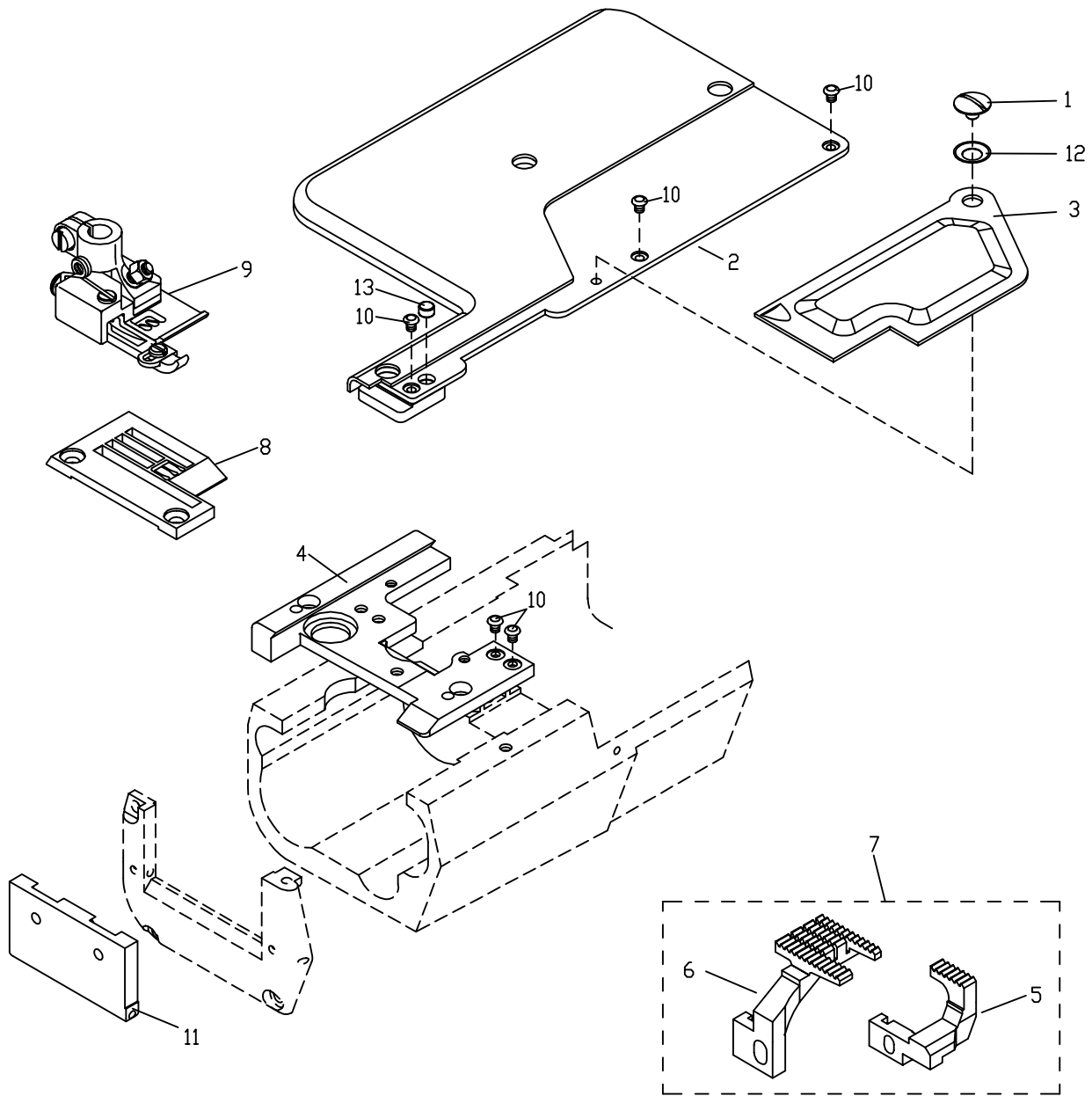


1. CT9003 / CTD9003 筒形圓領包邊用零件列表 Collarettes Knitted Binding Parts List

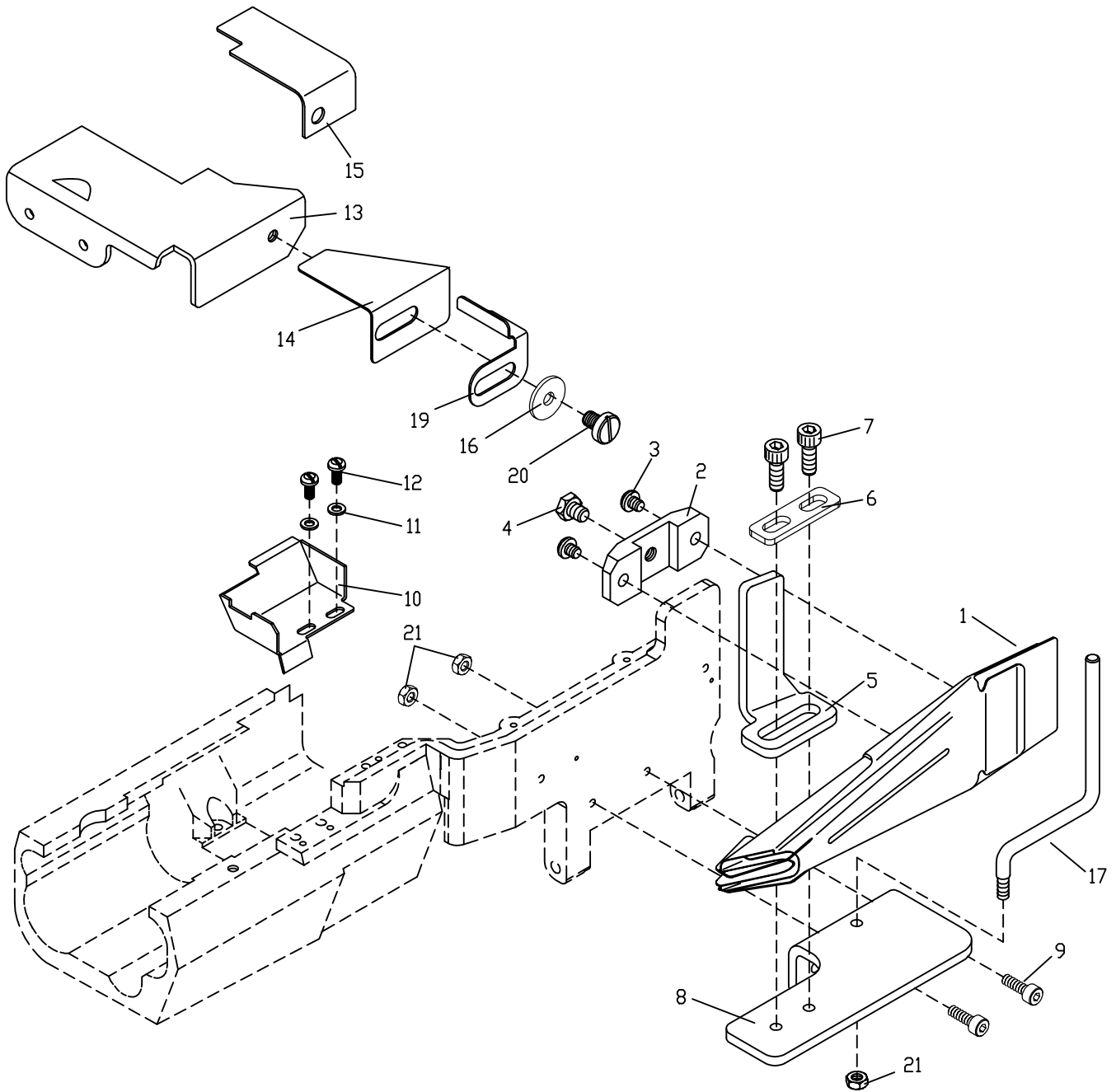


序號 Ref.No.	名稱 Description	針數 Number Of Needle / 針距 Distance Of Needles				
		2 Needle/3.2	2 Needle/4.0	2 Needle/4.8	3 Needle/5.6	3 Needle/6.4
8	針板 Needle Plate	5222TP03321	5222TP03401	5222TP03481	5222TP03561	5222TP03641
9	壓腳 Presser Foot	5222PF03321	5222PF03401	5222PF03481	5222PF03561	5222PF03641

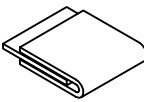
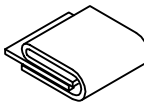
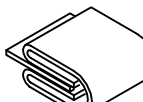
1. CT9003 / CTD9003 筒形圓領包邊用零件列表 Collarete Knitted Binding Parts List

序號 Ref.No.	物料編號 Parts No.	名稱 Description	單位用量 Amt.Req.
1	8MC04280512B	螺絲 Screw (CT030111 M4-0.7*7) -----	1
2	2270030102	護線蓋 Cloth Plate -----	1
3	2270030103	防塵蓋 Dust Cover -----	1
4	2220030104	針板座 Needle Plate Seat -----	1
5	5222DF03560	副送布齒 Diff Feed Dog -----	1
6	5222FD03560	主送布齒 Main Feed Dog -----	1
7	5222DG0005	送布齒組 Feed Dog Asm. -----	1
8	-----	針板 Needle Plate (See Left Page)-----	1
9	-----	壓腳組 Press Foot Asm. (See Left Page) -----	1
10	22100001191	減震橡膠 Rubber Cushion -----	5
11	2226110202	側蓋 Cover -----	1
12	2200000124	盂型墊圈 Disc Washer -----	1
13	2270000202	磁鐵 Magnet -----	1

2. CTD9003 筒形成形導模用零件表 Parts List For CTD9003 Folder and Tape Guide



1 導模型式 Folder Type

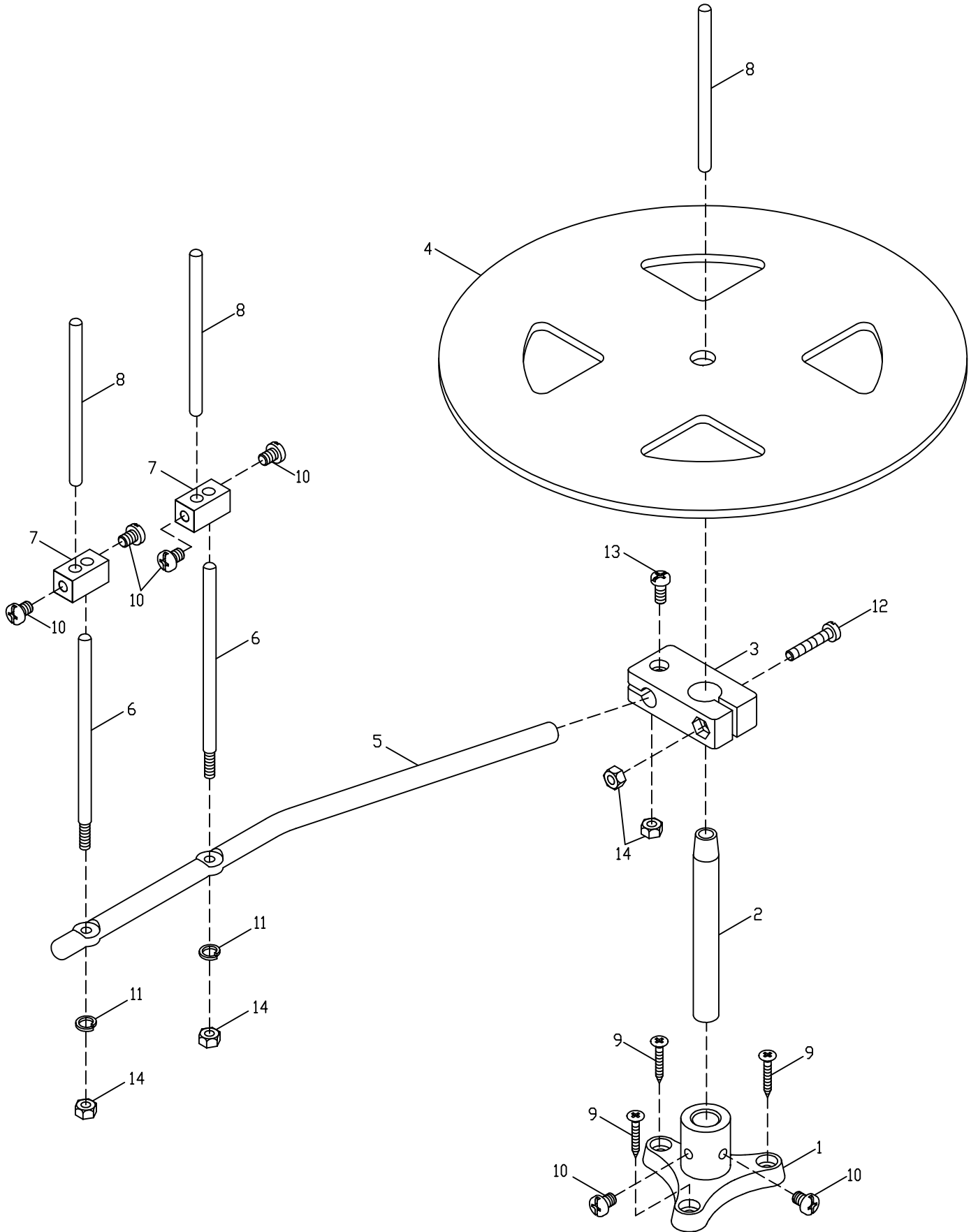
導模型式 Folder Type	 2折 Two Fold	 3折 Three Fold	 4折 Four Fold
圖號 Parts NO.	220FR0101 (C030201FD2)	220FR0201 (C030201FD3)	220FR0301 (C030201FD4)

2. CTD9003 筒形成形導模用零件表 Parts List For CTD9003 Folder and Tape Guide

序號 Ref.No.	物料編號 Parts No.	名稱 Description	單位用量 Amt.Req.
*1	-----	成形導模 Folder (See Left Page) -----	1
2	2200030202	導模夾板 Folder Clamp -----	1
3	8SB44400407K	螺絲 Screw (CT030203 11/64"-40*4) -----	2
4	8SK56320608A	螺絲 Screw (C030204 7/32"-32*6) -----	1
5	2200030205	導模支撐臂 Folder Support -----	1
6	2200030206	夾板 Fixing Plate -----	1
7	8MM05321409A	螺絲 Screw (CT0632 M5-0.8*14) -----	2
8	2200030208	導模座 Folder Seat -----	1
9	8MM04281207A	螺絲 Screw (C02-02 M4-0.7*12) -----	2
10	2200030210	防塵蓋 Dust Cover -----	1
11	90PW030	墊圈 Washer -----	2
12	8MB03200606K	螺絲 Screw (CT1207 M3-0.5*6) -----	2
13	2220030213	布板 Cloth Plate -----	1
14	2200030214	導帶布板 Fabric Side Plate -----	1
15	2200030215	輔助布板 Aux. Cloth Plate -----	1
16	2310001309	墊圈 Washer -----	1
17	2270030217	導帶桿 Tape Guide Holder -----	1
18	-----	-----	-
19	2210030224	輔助布板 Aux. Cloth Plate -----	1
20	8MB05320710A	螺絲 Screw (C030217 M5-0.8*7) -----	1
21	8MA04280307A	螺帽 Nut (C02-38 M4-0.7*3) -----	3

* 特註品 Custom-mode Item

3.TS008 滾條架 TS008 Tape Stand



3.TS008 滾條架 Tape Stand

序號 Ref.No.	圖號 Parts No.	名稱 Description	單位用量 Amt.Req.
1	4TS0080101	座 Stand Base -----	1
2	4TS0080102	立柱 Rod -----	1
3	4TS0080103	接頭 Joint -----	1
4	4TS0080104	承盤 Plastic Plate -----	1
5	4TS0080105	旋臂 Arm -----	1
6	4TS0080106	線盤軸 Spool Pin -----	2
7	4TS0080107	定位調整塊 Tape Adjusting Holder -----	2
8	4TS0080108	軸 Shaft -----	3
9	8ME34002500A	木螺絲 Wood Screw -----	3
10	8MC06400810A	螺絲 Screw -----	6
11	90SW050	彈簧墊圈 Spring Washer -----	2
12	8MC05322709A	螺絲 Screw -----	1
13	8MC05321109A	螺絲 Screw -----	1
14	8MA03200408A	螺帽 Nut -----	4